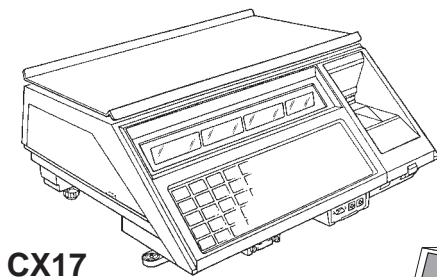


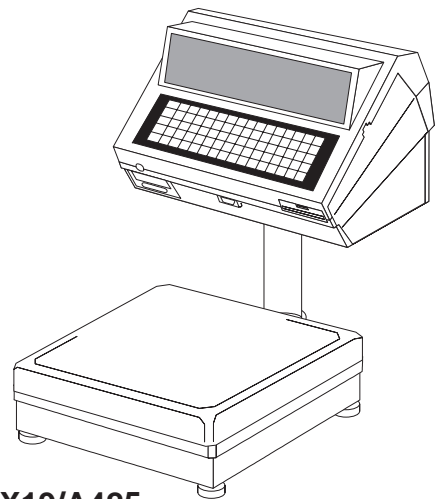


CX16/A402
CX17/A405
CX18/A421
CX19/A425

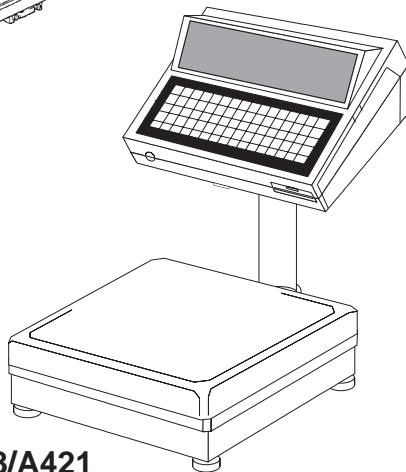
User Instructions



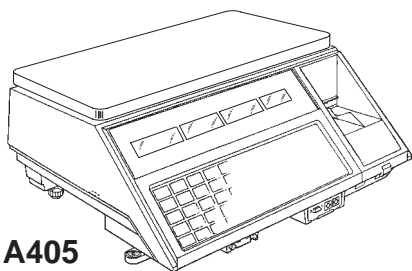
CX17



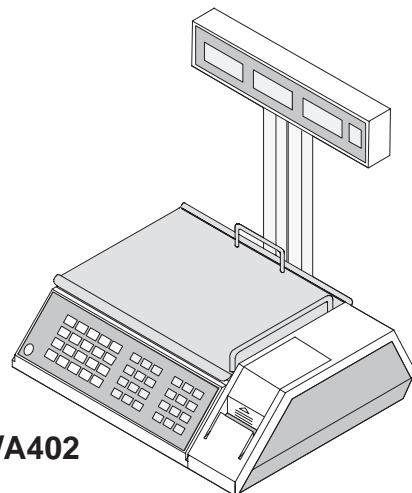
CX19/A425



CX18/A421



A405



CX16/A402

Description

Description	1-1
Features	1-3
The Printer	1-4
Description	1-4
External Fittings	1-7
Switches, sockets and fuses	1-7
Mains cable	1-8
Legal Requirements	1-9

Installation

Installation	2-1
Position the scale	2-1
Level the scale	2-1
Switch the scale on	2-2

Serving Customers

Getting Started	3-1
Switching the Scale On	3-1
Bleeping scale	3-1
Displays and Indicators	3-2
Operator Keyboard	3-3
Numeric, operator and PLU keys	3-3
Function keys	3-4
Printing	3-5
Printing a receipt	3-5
Displaying the customer's change	3-5
Printing a label (CX17/A405/CX19/A425 only)	3-6
Advancing the printer roll	3-6
Changing the printer roll	3-6
Changing the printer cassette (CX17/A405 only)	3-6
Selecting Receipt or Label Mode (CX17/A405/CX19/A425 only)	3-7
Zeroing the Scale	3-7
Displaying Your Operator Subtotal	3-7
Typing in the Prices	3-8
Unit price (weighed goods)	3-8
Item price (non-weighed items)	3-8
Changing the Number of Items	3-8
Using PLUs	3-9
Weighed goods	3-9
Non-weighed items	3-9

TABLE OF CONTENTS

Overriding the Prices of PLUs	3-10
Unit price	3-10
Item price	3-10
Using Tares	3-11
Free tare	3-11
Cumulative tare	3-12
Keyboard entered tare	3-13
Proportional tare	3-14
Retaining a PLU	3-15
Weighed goods	3-15
Non-weighted item	3-16
Retaining a Unit Price	3-17
Returning Non-weighted Items	3-18
Voiding Transactions	3-18
Add Labels (CX17/A405/CX19/A425 only)	3-19
Error Messages and Displays	3-21
Underrange condition	3-21
Overrange condition	3-21
Fail to balance	3-21
Change weight	3-21
Weight unsteady	3-21
Print total (CX17/A405/CX19/A425 only)	3-21
Switching the Scale Off	3-21
Pre-packing (CX17/A405/CX19/A425 only)	
Pre-packing	4-1
Setting the Machine to Pre-pack	4-1
Pre-pack Operations	4-2
Weighed goods	4-2
Non-weighted items	4-2
Tares	4-3
Free tare	4-3
Preset tare	4-4
Keyboard entered tare	4-5
Proportional tare	4-6
Multiple Labels	4-7

Programming

Fitting the Programming Keyboard Overlay (CX17/A405/CX18/A421/CX19/A425 only)	5-1
Entering Programming Mode	5-1
Displays and Indicators	5-2
Programming Keyboard	5-3
Programming Menu	5-5
Flowchart	5-5
Flowchart	5-6
Description of options	5-7
Moving around the programming menu	5-9
Text Editing	5-10
Receipt and label text	5-10
What the text editing display means	5-10
Displayed text	5-11
Changing the font size	5-12
Creating and Editing a PLU	5-13
Editing the Sign On Text	5-16
Editing the Sign Off Text	5-16
Editing the Store Name Text	5-16
Editing the Add Label	5-16
Editing the Legend	5-16
Changing the PIN Number	5-17
Selecting the Label Format (CX17/A405/CX19/A425 only)	5-17
Changing the Machine ID Number	5-18
Assigning a PLU to a Commodity Key	5-18
Assigning an Operator Key	5-19
Assigning a Tare Key	5-19
Assigning a Dual Capacity Key	5-20
Assigning a Proportional Tare Key	5-20
Selecting the Type of Printer Roll (CX17/A405/CX19/A425 only)	5-21
Selecting the Print Mode (CX17/A405/CX19/A425 only)	5-21
Selecting the Talon	5-21
Switching the Function Keys On and Off	5-22
Setting Up Net Weights and Tares	5-23
Net weights	5-23
Stored tare weights	5-23
Proportional tare	5-24

TABLE OF CONTENTS

Selecting and Editing the Barcode Format	5-25
Receipt	5-25
Label (CX17/A405/CX19/A425 only)	5-26
Barcode Format Tables	5-27
Barcode digits – EAN8	5-27
Barcode digits – UPC12	5-28
Barcode digits – UPC13	5-29
Barcode digits – EAN13	5-30
Barcode digits – EAN13 (Scandinavian)	5-31
Barcode digits – source marked barcodes	5-32
Changing the Time and Date	5-33
Time	5-33
Date	5-33
Changing the Price of a PLU	5-34
Changing the Trace Code	5-34
Assigning a Tax Rate to a Tax Code	5-35
Printing the PLU Totals	5-36
Printing the Operator Totals	5-37
Printing the Grand Totals	5-38
Printing a PLU List	5-39
Clearing Transactions	5-40
Clearing PLUs	5-40
Using the DCU	5-41
Dumping system data	5-41
Loading system data	5-42
Dumping machine data	5-42
Loading machine data	5-42
Dumping PLU data	5-42
Loading PLU data	5-42
Dumping totals data	5-42
Dumping label data	5-42
Loading label data	5-42
DCU compatibility data	5-43
Error Messages	5-43
Communications error	5-43

Networking

Features	6-1
Checking Configuration	6-1
Network setup	6-2
Configuring the network	6-2
Scale operation	6-3
Network messages	6-3
Wait	6-3
Print total	6-4
'N code 1'	6-4
'N code 2'	6-4
'N code 3'	6-4
'N code 9'	6-4
'N code 10'	6-5
'N code 11'	6-5

Routine Maintenance

Changing a Printer Roll	7-1
Changing a paper roll	7-1
Changing a label roll	7-4
Changing the Printer Cassette (CX17/A405 only)	7-7
Cleaning the Scale	7-8
Cleaning the Print Head	7-9
Replacing the Fuse	7-11

This is a “Table of Contents preview” for quality assurance

The full manual can be found at <http://the-checkout-tech.com/estore/catalog/>

We also offer free downloads, a free keyboard layout designer, cable diagrams, free help and support.

<http://the-checkout-tech.com> : *the biggest supplier of cash register and scale manuals on the net*